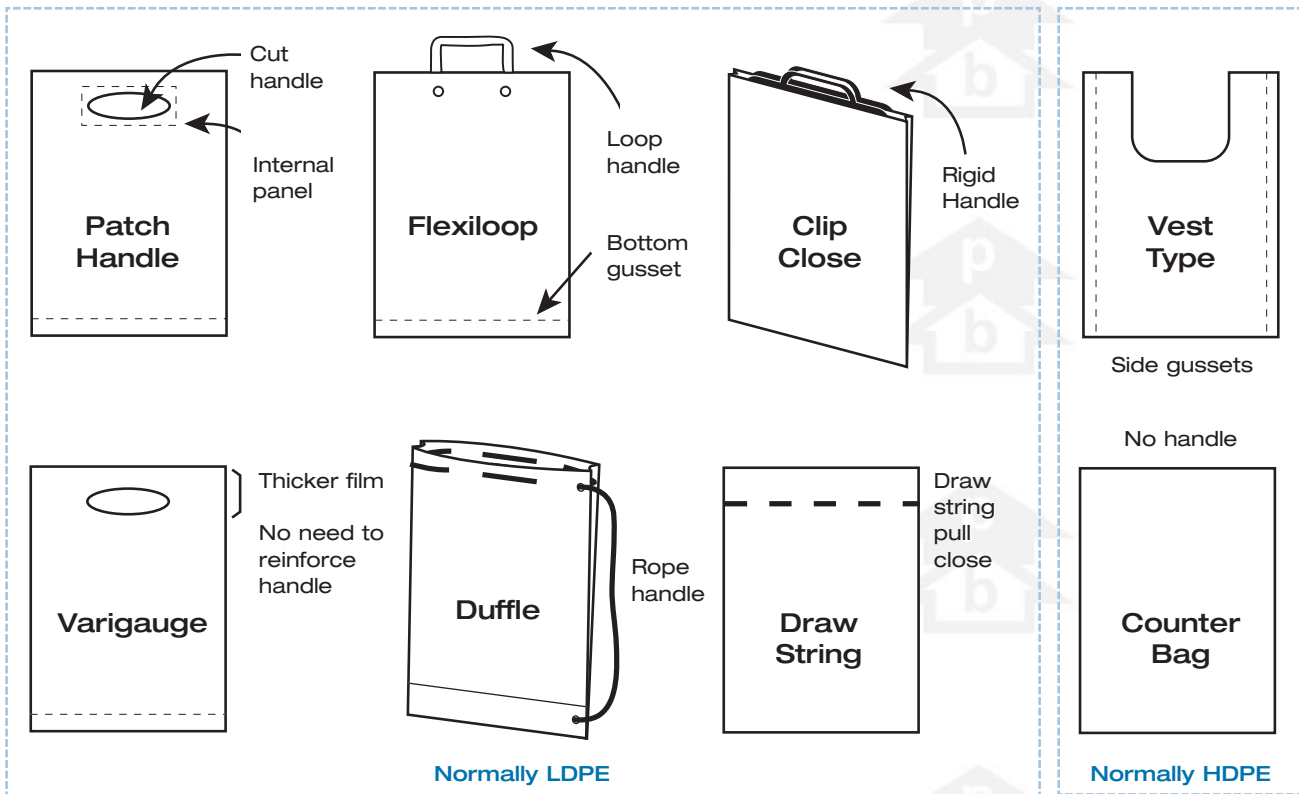


## POLYBAGS CARRIER PRODUCT SHEET



### Standard base material colours

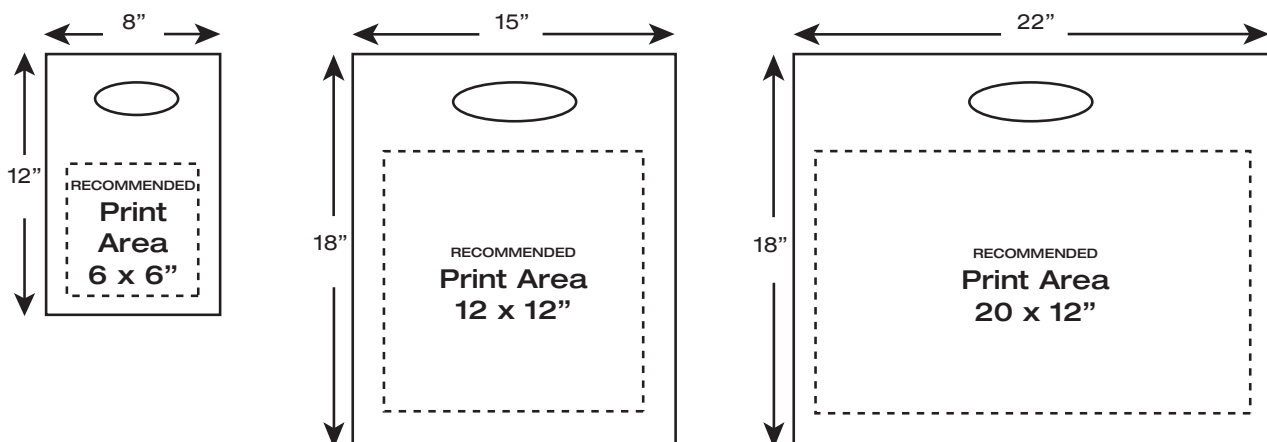
Clear / White / Frosted / Yellow / Grey / Silver / Red / Blue / Ivory / Burgundy / Harrods Green / Gold / Black

### Standard Pantone ink colours

Red 485c / Green 348c / Reflex Blue / Brown 4625c / Gold 873c / Black / Silver

### Standard print areas

Please allow for any handles and leave a margin around the bag

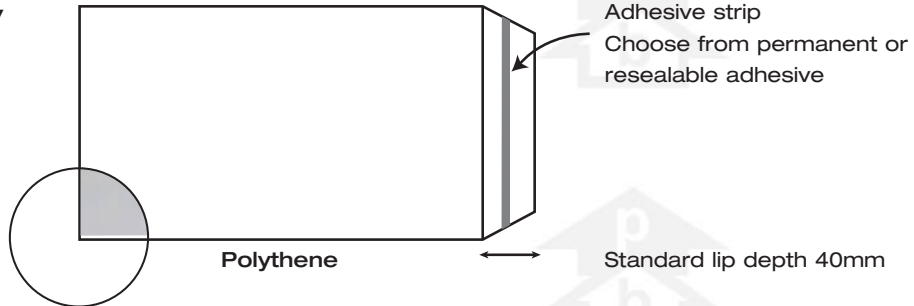


**Many stocked carrier lines are available, including coloured carriers**

## POLYBAGS MAILER PRODUCT SHEET

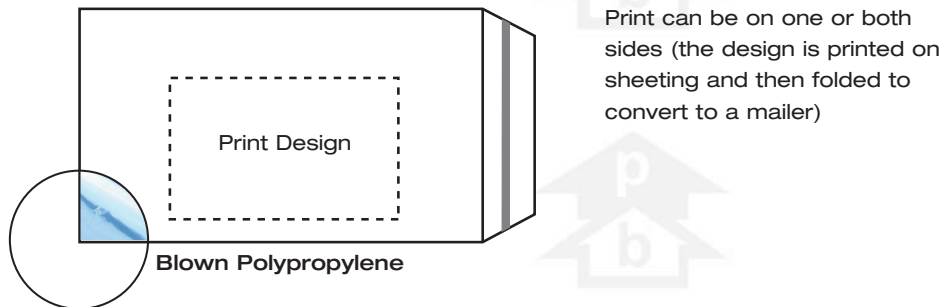
### Standard Economy Film Mailer

- Clear, coloured or tinted
- Can add label or write directly on surface.



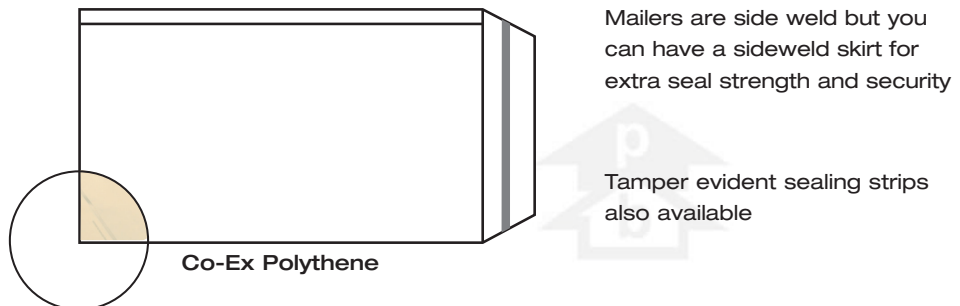
### High Gloss Polypropylene

- For superior appearance



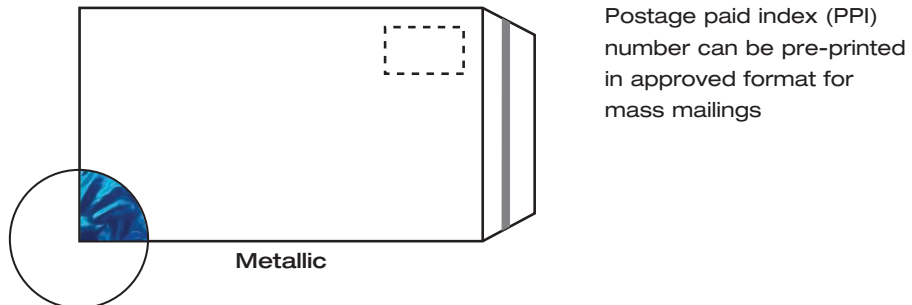
### Co-Ex Polythene

- For superior strength
- Used for courier bags



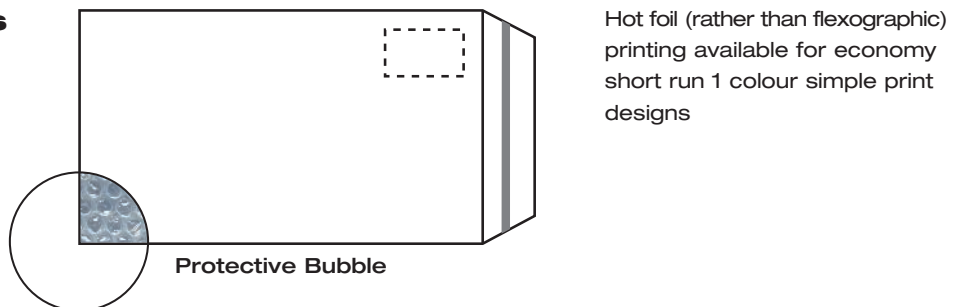
### High Impact Metallic Film

- For promotional mailers



### Bubble-lined mailers

- For protective mailing of items like CD's
- Waterproof with white or silver outer polythene cover



**Many stocked lines are available in C3, C4, C5 sizes including clear and opaque mailers with or without address panels**